



THE QUIET ONE™

Up to 4 Times Quieter Than the Competition

Innovative vibration dampening technology creates Vitamix quality drinks in a more enjoyable customer atmosphere.

Magnetically Secured Floating Sound Enclosure

Dramatically easier to clean and disassemble. No screws to damage the enclosure. No parts to lose.

Ultimate Blending Flexibility and Optimization

Variable speed control and automatic shut-off provide flexibility in creating endless recipes. The 6 program buttons with 34 optimized programs in memory provide operators with easy, consistent drinks every time. Custom blending programs can easily be created for signature drinks.

Improved Speed of Service

The Advance® container design reduces blend and pour time for faster customer service.

Designed for High Performance and Durability

Air management and powerful ≈ 3 peak output HP motor reduces noise, improves reliability and reduces down time.



Creamy fruit smoothies

Product Specifications

The Quiet One™

On-Counter: Item No. 50031 / In-Counter: Item No. 51024

Motor: ≈3 peak output horsepower motor

Electrical: 220 - 240 V, 50/60 Hz, 1300 - 1500 W

Pack: Includes The Quiet One™ Blending Station® Advance® with 1,4 L high-impact, clear/stackable Advance® container complete with blade assembly and lid compact enclosure

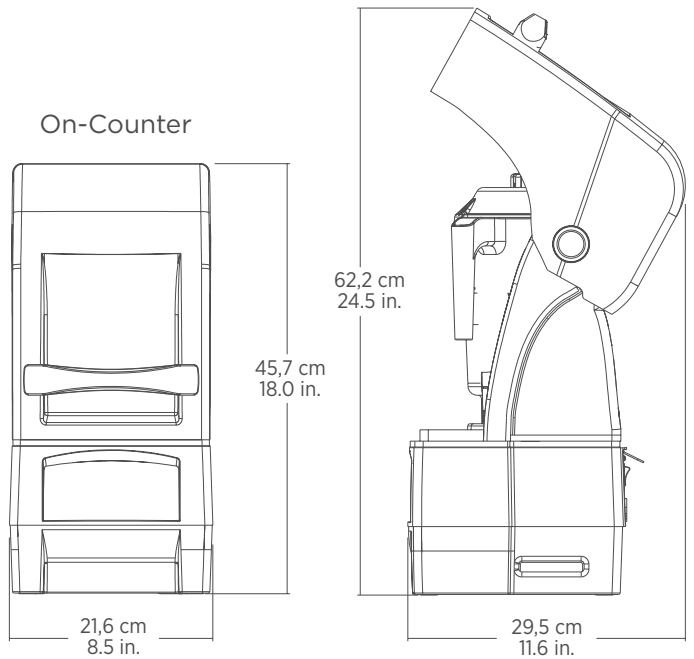
Net Weight: 9,1 kg, (12,7 kg with box)

Dimensions:

On-Counter: 45,7 x 21,6 x 27,2 cm (H x W x D)
Height with lid open: 62,2 cm

In-Counter: 41,9 x 21,6 x 27,2 cm (H x W x D)
Height with lid open: 58,4 cm
Depth below counter: 3,0 cm

Warranty: Please contact your authorized Vitamix distributor for warranty information.



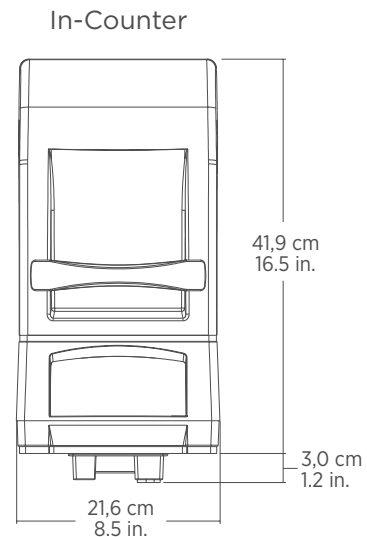
Also Available

The Quiet One On-Counter
Item No. 36209: 120 V (EMC), 50/60 Hz, 15 A
Item No. 52005: 100 V, 50/60 Hz, 1300 W

The Quiet One In-Counter
Item No. 36300: 120 V (EMC), 50/60 Hz, 15 A
Item No. 53005: 100 V, 50/60 Hz, 1300 W

Additional containers, complete with blade assembly and lid.
Item No. 15978: Advance container 1,4 L

For more information, please contact an authorized Vitamix distributor, or Vitamix international customer service.



Contact Information

U.S.A., Canada & Latin America:

Tel: 800.4DRINK4 or
440.235.0214

E-mail: foodservice@vitamix.com

Outside of U.S.A., Canada &
Latin America:

Tel: +1.440.782.2450

E-mail: international@vitamix.com

www.vitamix.com/foodservice

Vita-Mix Corporation
8615 Usher Road
Cleveland, OH 44138-2103 U.S.A.

For more information, contact your
local foodservice distributor.