



BARBOSS® ADVANCE®

The Ultimate Blender For Every Beverage Program

Whether preparing blended drinks, simple syrups or purées for cocktail bases, the BarBoss Advance is an essential tool for expanding and maintaining your beverage program.

Smart Product Design

- 6 optimized programs and automatic shut-off means you can turn it on, walk away, and blend consistently-smooth beverages
- Pulse control quickly refreshes drinks for efficiency
- The Advance® container has a longer life, with improved pourability and extended blade life saving you time and money
- Advanced motor is designed to resist overheating when blending extra-thick ingredients resulting in cooler operation and enhanced reliability during peak hours of operation



Create signature drinks

Product Specifications

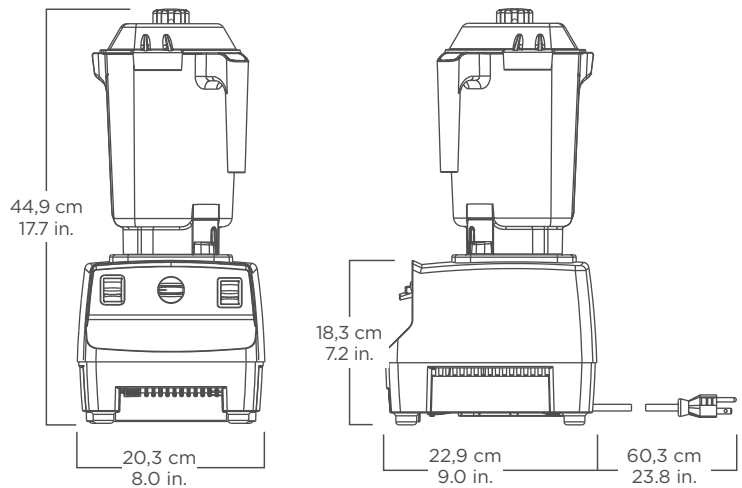
BarBoss® Advance® Item No. 10197

Motor: ≈2 peak output horsepower motor
 Electrical: 220 - 240 V, 50/60 Hz, 750 - 850 W
 Pack: Includes BarBoss Advance with 0,9 L high-impact, clear/stackable Advance® container, complete with blade assembly and lid, and red base

Net Weight: 5,9 kg (6,3 kg with box)

Dimensions: 44,9 x 20,3 x 22,9 cm (H x W x D)

Warranty: Please contact your authorized Vitamix distributor for warranty information.



Also Available

BarBoss Advance with Advance container
 Item No. 10193: 120 V (EMC), 50/60 Hz, 11,5 A
 Item No. 10195: 100 V, 50/60 Hz, 900 W

Additional containers, complete with blade assembly and lid.

Item No. 15981: Advance container 0,9 L

Item No. 15506: standard container 1,4 L

Item No. 15640: compact container 0,9 L

Item No. 15606: Software kit for customized programming.

For more information, please contact an authorized Vitamix distributor, or Vitamix international customer service.



Contact Information

U.S.A., Canada & Latin America:

Tel: 800.4DRINK4 or
440.235.0214

E-mail: foodservice@vitamix.com

www.vitamix.com/foodservice

Vita-Mix Corporation
 8615 Usher Road
 Cleveland, OH 44138-2103 U.S.A.

Outside of U.S.A., Canada &
 Latin America:

Tel: +1.440.782.2450

E-mail: international@vitamix.com

For more information, contact your
 local foodservice distributor.