



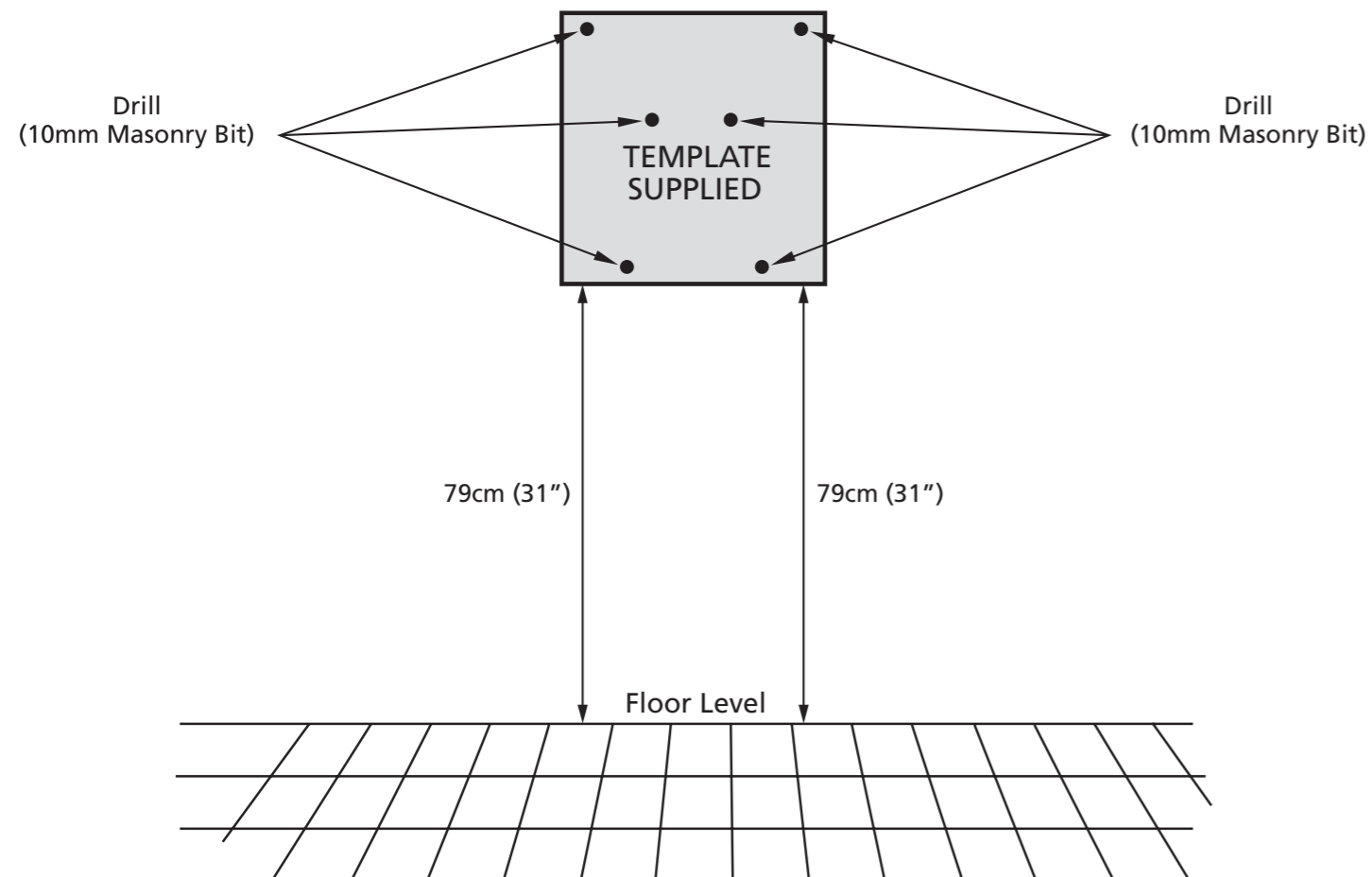
INSTRUCTIONS FOR USE

Magrini Baby Change Unit - Model MC75

For fixing into blockwork or brickwork:

- 1) Using the template supplied, mark the position of the holes to be drilled ensuring that the correct height of 79cm from the floor to the bottom of the template is correct. Check for correct level. Drill the 2 top holes and 2 middle holes, fit the plastic block fixings (supplied). Use four M8x70 turbo coach screws into the top four block fixings.
- 2) Screw into block fixings and allow 10mm protruding. Test fit unit for level and verify correct position of mark for bottom two holes. Remove unit and drill bottom two holes and fit the plastic block fittings. Tighten top four screws until approximately 4mm protruding. Fit unit over screws and push down to lock into slots.
- 3) Use the remaining two M8x70 turbo coach screws. Screw into the bottom two holes of the unit and into the block fixings and tighten.
- 4) Pull unit open and close several times to check for correct movement.

Note: All assembly fittings shall always be correctly tightened and checked regularly. Screws shall not be loose because a child can squeeze parts of the body, or clothing (e.g. strings, necklaces, ribbons for babies, dummies, etc.) could get caught. There would be danger of strangulation. Units should be fitted no less than 100mm from the corner of the room to enable access for cleaning. Be aware of the risk of open fire and other sources of strong heat, such as electric bar fires, gas fires etc. in the near vicinity of the unit.



INSTRUCTIONS FOR USE

Magrini Baby Change Unit - Model MC75

IMPORTANT: RETAIN FOR FUTURE REFERENCE. READ CAREFULLY.

This changing unit must be fixed to the wall for safe use of the product and the fastenings used should be appropriate to the wall.

To assure proper installation, we suggest that a qualified person install this unit. Magrini Ltd., will not be responsible if the changing station is not installed correctly.

All recommended fixings are supplied. Replacements are available free of charge from Magrini - do not use less substantial fittings.

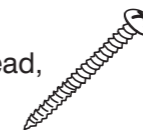
We DO NOT recommend fixing onto toilet or changing room cavity walls, unless specific studwork is in place. If in doubt contact the Magrini sales office.

PLEASE NOTE: this unit does not require a changing pad and therefore, no pad is supplied with this unit.

Changing Unit Fixing Parts (supplied):

6 No. Turbo Coach Screws M8 x 70 Hexagon Head, C-1022 Steel/Zinc Plated Yellow Passivated

6 No. Fixing Plugs 10mm x 60mm



Tools required:

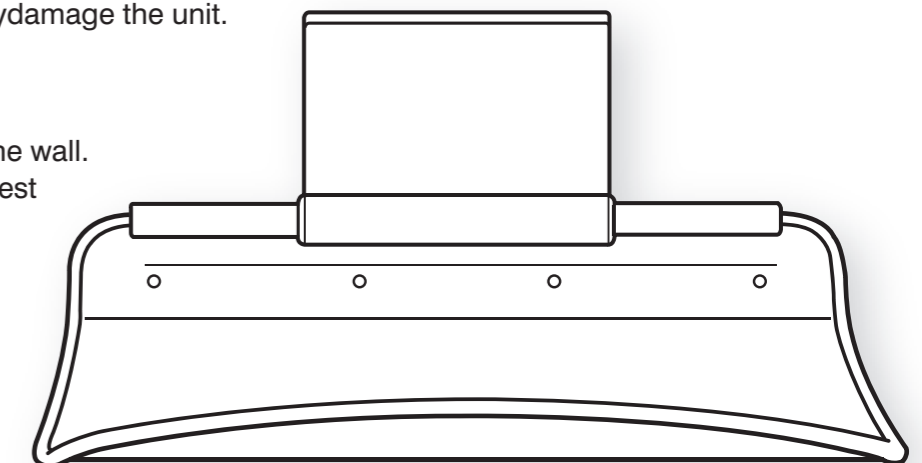
- Drill
- 10mm Hex Socket or Spanner
- 10mm Masonry Drill Bit
- Spirit Level

Cleaning Instructions

The nappy changing unit may be washed and wiped with a damp soft cloth or sponge. Use of mild detergent and warm water will remove the majority of dust and stains. For more obstinate stains adomestic cream cleaner can be used. Do not use anyabrasive cloths, caustic or solvent cleaners as these maydamage the unit.

Maintenance Instructions

Check that the unit is securely fixed to the wall. Check that the changing bed does not rest below the horizontal position. Ensure warning label is in place on the inside of the unit and general cleanliness is within given guidelines. Ensure closing mechanism returns the tray to the upright position. Any replacement parts must be obtained from Magrini only.



WARNING: DO NOT LEAVE THE CHILD UNATTENDED.

Intended for use for children up to a maximum weight of 15kg.

Do not use the changing unit when any part is broken, torn or missing.



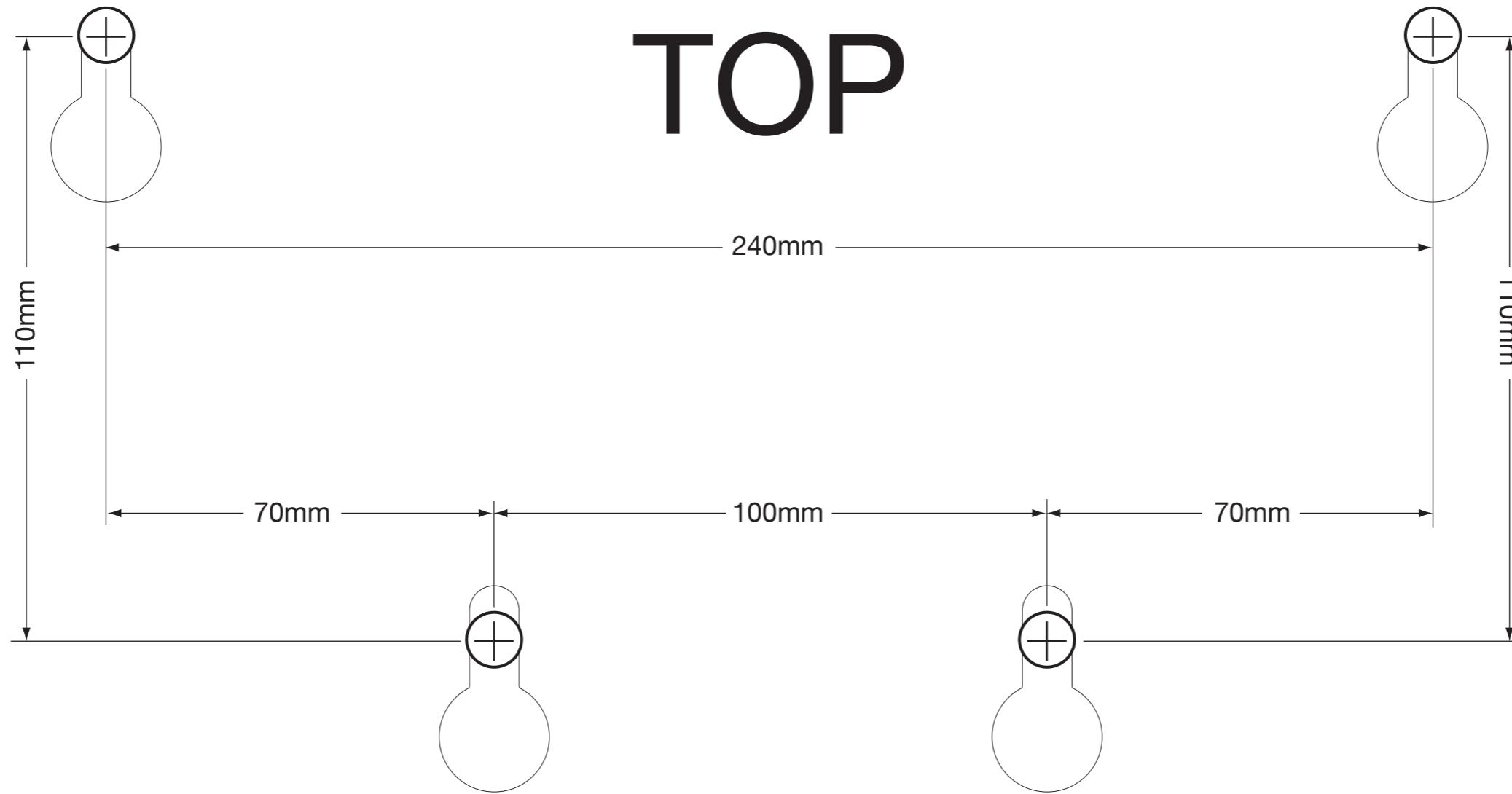
Magrini Limited, Unit 5 Maybrook Industrial Estate, Brownhills, Walsall WS8 7DG
t: 01543 375311 • e: sales@magrini.co.uk • w: www.magrini.co.uk



Magrini Limited, Unit 5 Maybrook Industrial Estate, Brownhills, Walsall WS8 7DG
t: 01543 375311 • e: sales@magrini.co.uk • w: www.magrini.co.uk

⊕
Drill
Points

TOP



MC75 TEMPLATE

