

MC75 Stainless Steel Baby Changing Unit

PRODUCT INFO

The MC75 stainless steel wall mounted baby changing unit offers exceptional strength and durability. The all-metal construction is designed to withstand abuse and is ideal for unsupervised areas.

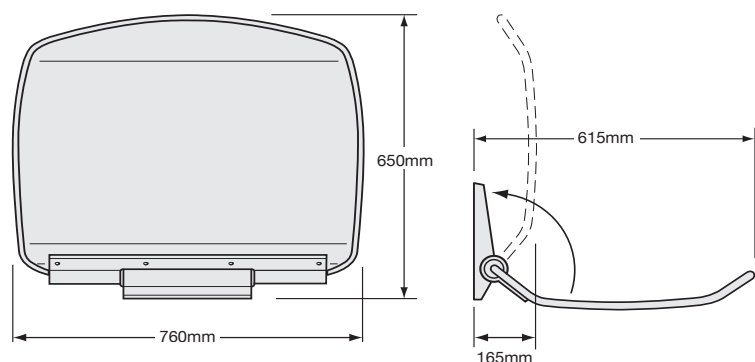
- Compact, fold-away design
- Stylish, brushed stainless steel finish
- Withstands static loads up to 100Kgs
- Ideal for use in areas where CCTV is not possible
- Graffiti and vandal resistant
- Exceptional fire resistance
- Designed and manufactured in the UK

SPECIFICATION

- The changing unit must be fixed to the wall for safe use of the product
- Intended for use for children up to 15 kg
- BS EN 12221:2008 + A1:2013
- This unit does not require a changing pad and therefore, no pad is supplied

Specification Clause - Manufacturer: Magrini Ltd., Tel: 01543 375311. Wall mounted stainless steel baby changing unit ref: MC75. Size: 760mm (width), 650mm (height), 165mm (closed depth), 615mm (open depth). Material: Stainless steel 1.4301 Dp2 with reinforced cast aluminium hinge system, dual hydro-pneumatic gas strut closing mechanism. Colour option: Stainless steel. Installation kit as supplied by manufacturer. Fully compliant with BS EN 12221:2008 + A1:2013

Width	Height	Depth	Weight	Safety Standard
760mm	650mm	165mm	17kg	BS EN 12221:2008 + A1:2013



Suggested mounting height from the floor to the base of the unit is 730mm



Fully compliant with
BS EN 12221:2008 + A1:2013



RECYCLING INFORMATION		
 OUTER CARTON	 HINGE ROD & GAS STRUT	 BASE & TRAY

Designed and Manufactured in the UK