

# MX33 Stay-Safe Baby Seat

## PRODUCT INFO

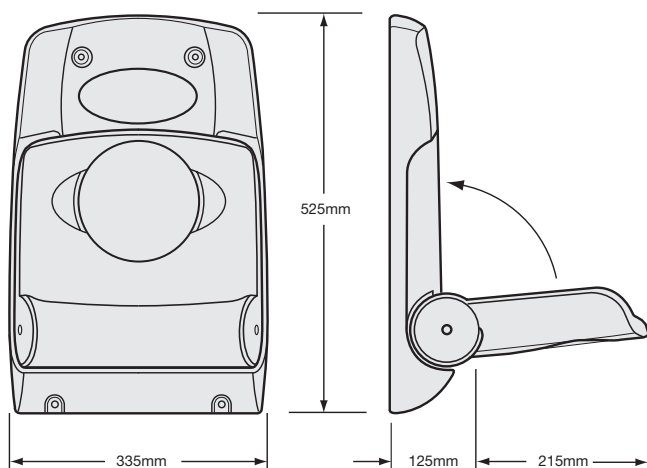
The MX33 Magrini Wall Mounted Stay-Safe baby seat gives parents a place to seat their babies with them safely inside a changing cubicle, toilet or fitting room.

- Eliminates the uncertainty of leaving a baby unattended, outside or on the floor
- Compact fold-away design
- Enclosed hinge eliminates finger traps
- Contoured seat with raised side barriers for intrinsic safety
- Integral 3-point strap incorporates adjustable waist and crotch restraints with snap-lock buckle
- Certified free from pesticides and antimicrobial additives
- Designed and manufactured in the UK

## SPECIFICATION

Manufacturer: Magrini Ltd., Tel: 01543 375311. Magrini Stay-Safe baby seat Ref: MX33. Size: 335mm (width), 525mm (height), 125mm (depth). Material: MDPE with enclosed stainless steel reinforced hinge. Colour option: Oatmeal or White Fleck Installation kit as supplied by manufacturer.

Width	Height	Depth	Weight	Safety Standard
335mm	525mm	125mm	2.7kg	CEN/TR 13387:2004



Suggested mounting height from the floor to the base of the unit is 500mm



White Fleck  
Colour Option

Fully compliant with  
**BS EN 12221:2008 +A1:2013**



Oatmeal  
Colour Option

RECYCLING INFORMATION		
OUTER CARTON	RECYCLABLE STEEL HINGE ROD & GAS STRUT	BASE & TRAY

**Designed and Manufactured in the UK**