

# Breeze High Chair

### PRODUCT INFO

The Magrini Breeze high chair combines light-weight easy stacking with a hygienic easy-clean finish.

Compliant with BS EN 14988:2017 safety standard. An adjustable 3-way safety strap is fitted as standard.

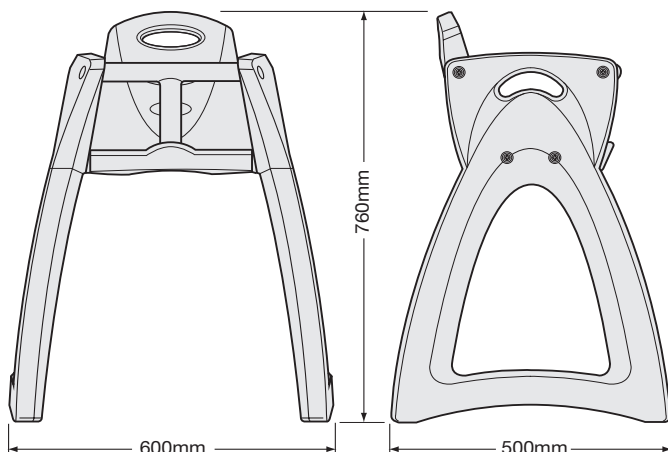
The Magrini Breeze high chair is the latest addition to the Magrini commercial high chair range

- Stacks up to 8 high for easy storage
- Front load stacking - eliminates up and over lifting
- Push-up design conserves aisle space
- Durable, solid, moulded-in colour - will not peel or flake
- Quick and easy self-assembly
- Adjustable 3-way safety strap with forward restraint
- Fully compliant with BS EN 14988:2017
- Intended for children able to sit up unaided and up to 3 years or a maximum weight of 15kg.
- Designed and manufactured in the UK

### SPECIFICATION

Specification Clause - Manufacturer: Magrini Ltd.,  
Tel: 01543 375311 web site: [www.magrini.co.uk](http://www.magrini.co.uk)  
Ref: M212. Size: 600mm (width), 500mm (depth), 760mm (height)  
Material: HDPE. Colour options: Charcoal with Grey or Red seat/back.  
Assembly kit supplied by manufacturer.  
Compliant with BS EN 14988:2017

Width	Height	Depth	Weight	Safety Standard
600mm	750mm	500mm	3.8kg	BS EN 14988:2017



Charcoal / Grey  
Colour Option



Charcoal / Red  
Colour Option

Fully compliant with  
**BS EN  
14988:2017**



Designed and Manufactured in the UK

